

# Specification

**Lithium Polymer Battery Pack (LP503040) 550mAh 3.7V with Protection Circuit Module (PCM)**  
 This data sheet describes the requirements and properties of lithium polymer rechargeable battery pack manufactured by Cellevia

## Mechanical Characteristics

Type number: LP503040  
 Designation IEC system: Lithium polymer battery pack  
 Length:  $40 \pm 0.4$ mm  
 Width:  $30 \pm 0.4$ mm  
 Thickness:  $5.0 \pm 0.2$ mm  
 Cable:  $150 \pm 3.0$ mm (26AWG UL 1007)  
 Weight: appr. 11.0g  
 Connector: JST 2.54 male & female connectors

## Electrical Specification

Rated capacity: 550mAh min, 580mAh typ.  
 Nominal voltage: 3.7V  
 Max. operating voltage range: 3.0V to 4.2V  
 Charge voltage:  $4.2 \pm 50$ mV  
 Initial charge current: Standard charge: 275mA  
 Rapid charge: 550mA  
 Charging cut-off (A or B)  
 A) By time: Standard charge: 7 hours  
 Rapid charge: 4 hours  
 B) By min. current: 11.0mA  
 Max continuous discharge current: 550mA  
 Exp. cycle life: >500 cycles >70% of initial cap. (0.5C/0.5C)  
 Internal impedance (1kHz): approx 67mOhm  
 Cell protection  
 Overcharge detection:  $4.325 \pm 25$ mV  
 (0.5 to 2.0 sec. delay, resume  $4.075 \pm 50$ mV)  
 Overdischarge detection:  $3.00V \pm 25$ mV  
 (6.25 to 250msec. delay, resume  $2.9V \pm 100$ mV)

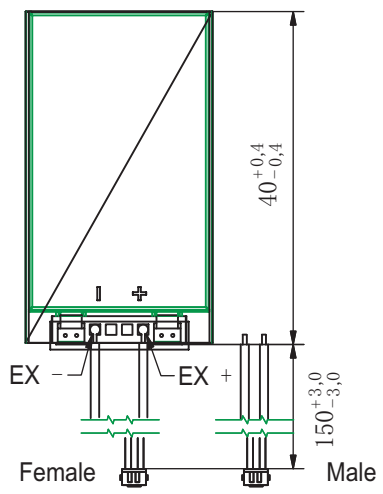
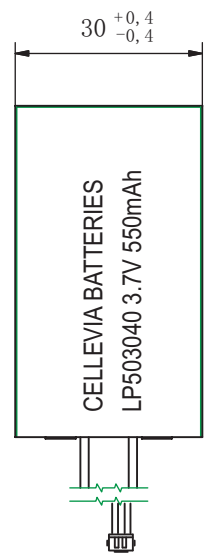
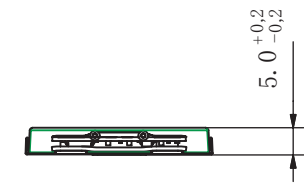
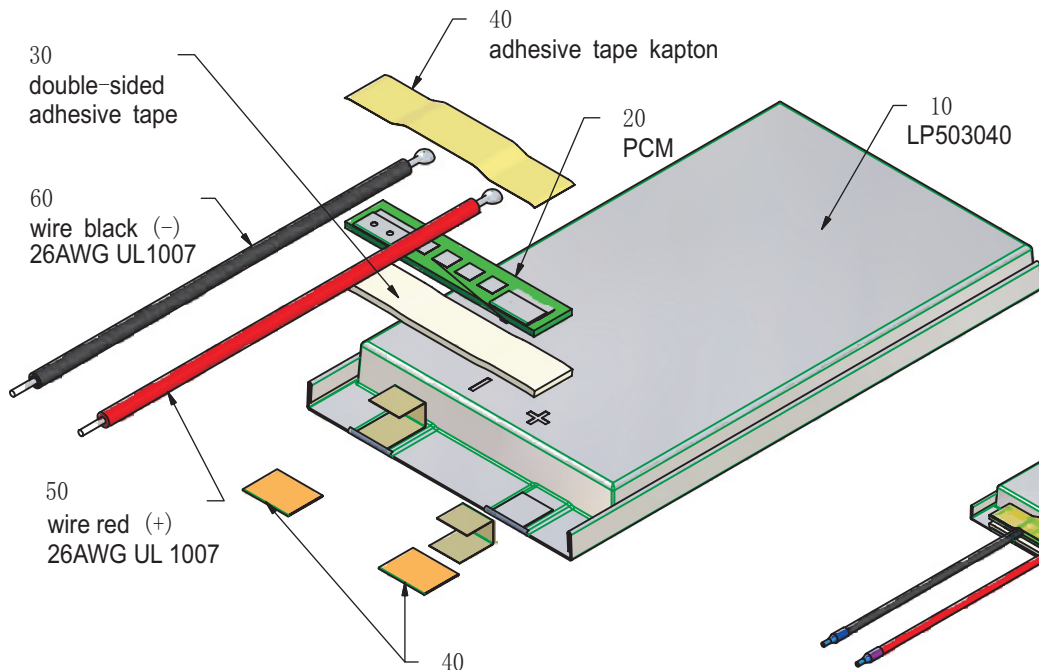
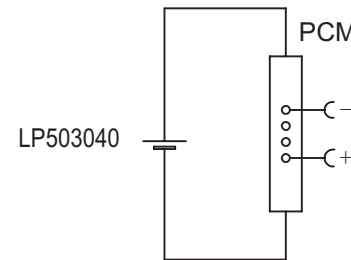
## Ambient conditions


Temperature range  
 Charge: 0 to +45°C  
 Discharge: -20 to +60°C  
 Charge retention/Storage: 1 year at -20 to 20°C >70%  
 3 month at -20 to 45°C >70%  
 1 month at -20 to 60°C >70%

## Safety

Please follow handling and Safety Precautions Poliflex.

## Circuit diagram



Index	Alteration		Date	Name
Projection:	<input type="checkbox"/>	Diese Mae werden besonders gepruft This dimensions are considered inspectable		
Mae in mm All dimensions in mm	Freimatoleranzen Generaltoleranzen	Date	Name	Material 6645175 6819
Als Betriebsgeheimnis anvertraut, alle Rechte vorbehalten.	up to 6 * 0,1 over 6 up to 30 * 0,2 over 30 up to 100 * 0,3 over 100 * 0,5	Erst./Orig. 12.08.2013 Bearb./Desig. Gepr./Check. 12.08.2013	Xie Qingfang Guo Daxia	
Proprietary data, company confidential, all rights reserved.		Benennung/Designation LP503040	Zchnng. / Dwg. Nr. 3 FD_2566_22	
		Origin:		