

Specification

Lithium Polymer Battery Pack (LP502030) 250mAh 3.7V with Protection Circuit Module (PCM)
 This data sheet describes the requirements and properties of lithium polymer rechargeable battery pack manufactured by Cellevia

Mechanical Characteristics

Type number: LP502030
 Designation IEC system: Lithium polymer battery pack
 Length: 30 ± 0.4 mm
 Width: 20 ± 0.4 mm
 Thickness: 5.0 ± 0.2 mm
 Cable: 150 ± 3.0 mm (26AWG UL 1007)
 Weight: appr. 3.5g
 Connector: JST 2.54 male & female connectors

Electrical Specification

Rated capacity: 250mAh min, 260mAh typ.
 Nominal voltage: 3.7V
 Max. operating voltage range: 3.0V to 4.2V
 Charge voltage: 4.2 ± 50 mV
 Initial charge current: Standard charge: 125mA
 Rapid charge: 250mA
 Charging cut-off (A or B)
 A) By time: Standard charge: 7 hours
 Rapid charge: 4 hours
 B) By min. current: 5.0mA
 Max continuous discharge current: 250mA
 Exp. cycle life: >500 cycles >70% of initial cap. (0.5C/0.5C)
 Internal impedance (1kHz): approx 89mOhm
 Cell protection
 Overcharge detection: 4.325 ± 25 mV
 (0.5 to 2.0 sec. delay, resume 4.075 ± 50 mV)
 Overdischarge detection: $3.00V \pm 25$ mV
 (6.25 to 250msec. delay, resume $2.9V \pm 100$ mV)

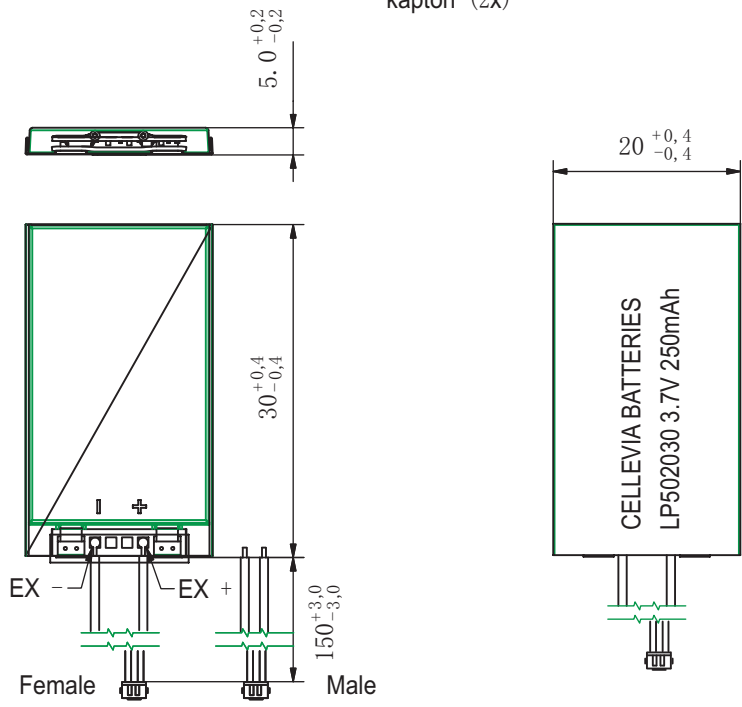
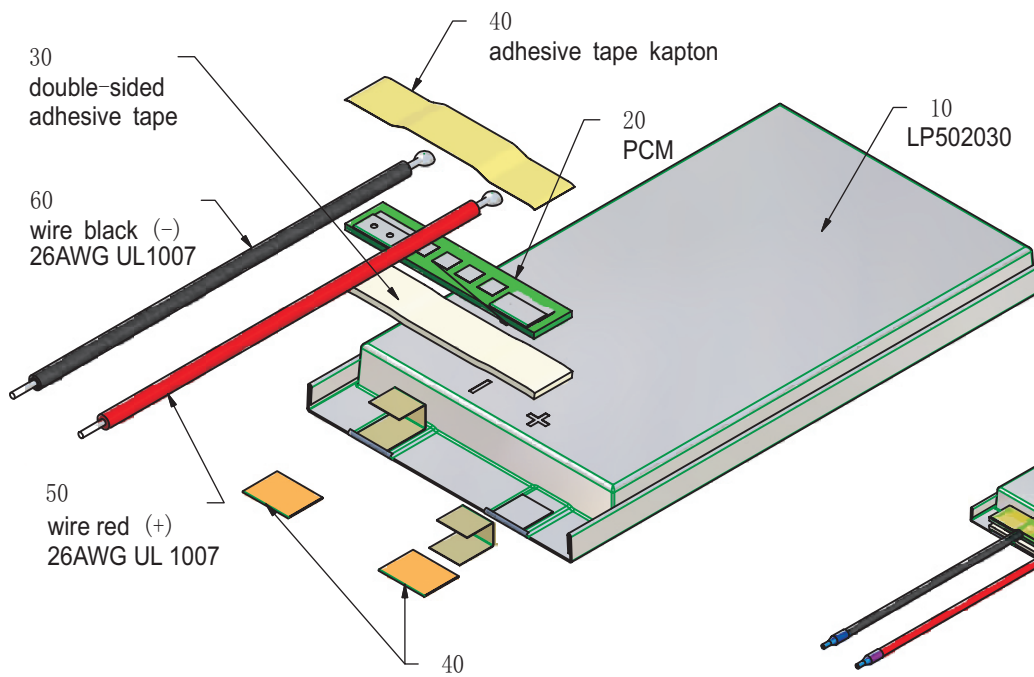
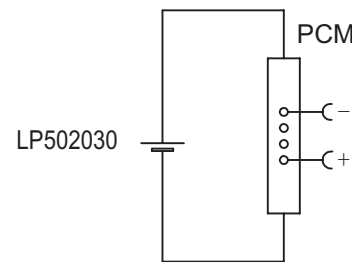
Ambient conditions

Temperature range
 Charge: 0 to +45°C
 Discharge: -20 to +60°C
 Charge retention/Storage: 1 year at -20 to 20°C >70%
 3 month at -20 to 45°C >70%
 1 month at -20 to 60°C >70%

Safety

Please follow handling and Safety Precautions Poliflex.

Circuit diagram



Index		Alteration		Date	Name	
Projection:		<input type="checkbox"/> Diese Mae werden besonders gepruft <input type="checkbox"/> This dimensions are considered inspectable		Material: 6645175 6819		
Mae in mm	Freimatoleranzen	Date	Name			
All dimensions in mm	Generaltoleranzen	Erst./Orig.	12.08.2013			Xie Qingfang
Als Betriebsgeheimnis anvertraut, alle Rechte vorbehalten.	up to 6	Bearb./Desig.				
	up to 30	Gepr./Check.	12.08.2013			Guo Daxia
Proprietary data, company confidential, all rights reserved.	over 6	Benennung/Designation		LP502030	Zchnng. / Dwg. Nr.	
	up to 30				3	
	over 30				FD_2566_20	
	up to 100					
	over 100					