

Silicon PNP Power Transistors

2SA1105

DESCRIPTION

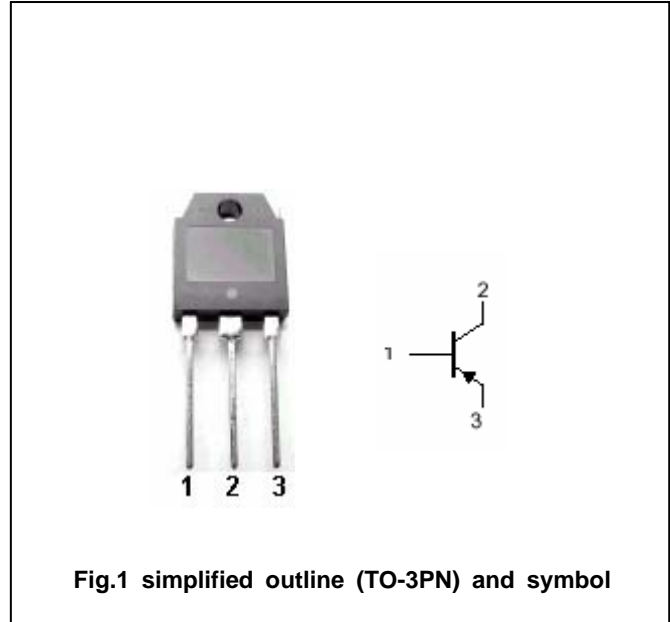
- With TO-3PN package
- High frequency
- High power dissipation

APPLICATIONS

- Audio power amplifier applications
- DC-DC converters

PINNING

PIN	DESCRIPTION
1	Base
2	Collector;connected to mounting base
3	Emitter



Absolute maximum ratings(Ta=°C)

SYMBOL	PARAMETER	CONDITIONS	VALUE	UNIT
V <sub>CBO</sub>	Collector-base voltage	Open emitter	-120	V
V <sub>CEO</sub>	Collector-emitter voltage	Open base	-120	V
V <sub>EBO</sub>	Emitter-base voltage	Open collector	-6	V
I <sub>C</sub>	Collector current		-9	A
P <sub>C</sub>	Collector power dissipation	T <sub>C</sub> =25°C	90	W
T <sub>j</sub>	Junction temperature		150	°C
T <sub>stg</sub>	Storage temperature		-55~150	°C

## Silicon PNP Power Transistors

## 2SA1105

## CHARACTERISTICS

T<sub>j</sub>=25°C unless otherwise specified

SYMBOL	PARAMETER	CONDITIONS	MIN	TYP.	MAX	UNIT
V <sub>(BR)CEO</sub>	Collector-emitter breakdown voltage	I <sub>C</sub> =-25mA ; I <sub>B</sub> =0	-120			V
V <sub>CEsat</sub>	Collector-emitter saturation voltage	I <sub>C</sub> =-3A; I <sub>B</sub> =-0.3A			-1.5	V
V <sub>BEsat</sub>	Base-emitter saturation voltage	I <sub>C</sub> =-3A; I <sub>B</sub> =-0.3A			-1.8	V
I <sub>CBO</sub>	Collector cut-off current	V <sub>CB</sub> =-120V; I <sub>E</sub> =0			-100	μ A
I <sub>EBO</sub>	Emitter cut-off current	V <sub>EB</sub> =-6V; I <sub>C</sub> =0			-100	μ A
h <sub>FE</sub>	DC current gain	I <sub>C</sub> =-3A ; V <sub>CE</sub> =4V	50		180	
f <sub>T</sub>	Transition frequency	I <sub>E</sub> =1A ; V <sub>CE</sub> =-12V		20		MHz

Silicon PNP Power Transistors

2SA1105

PACKAGE OUTLINE

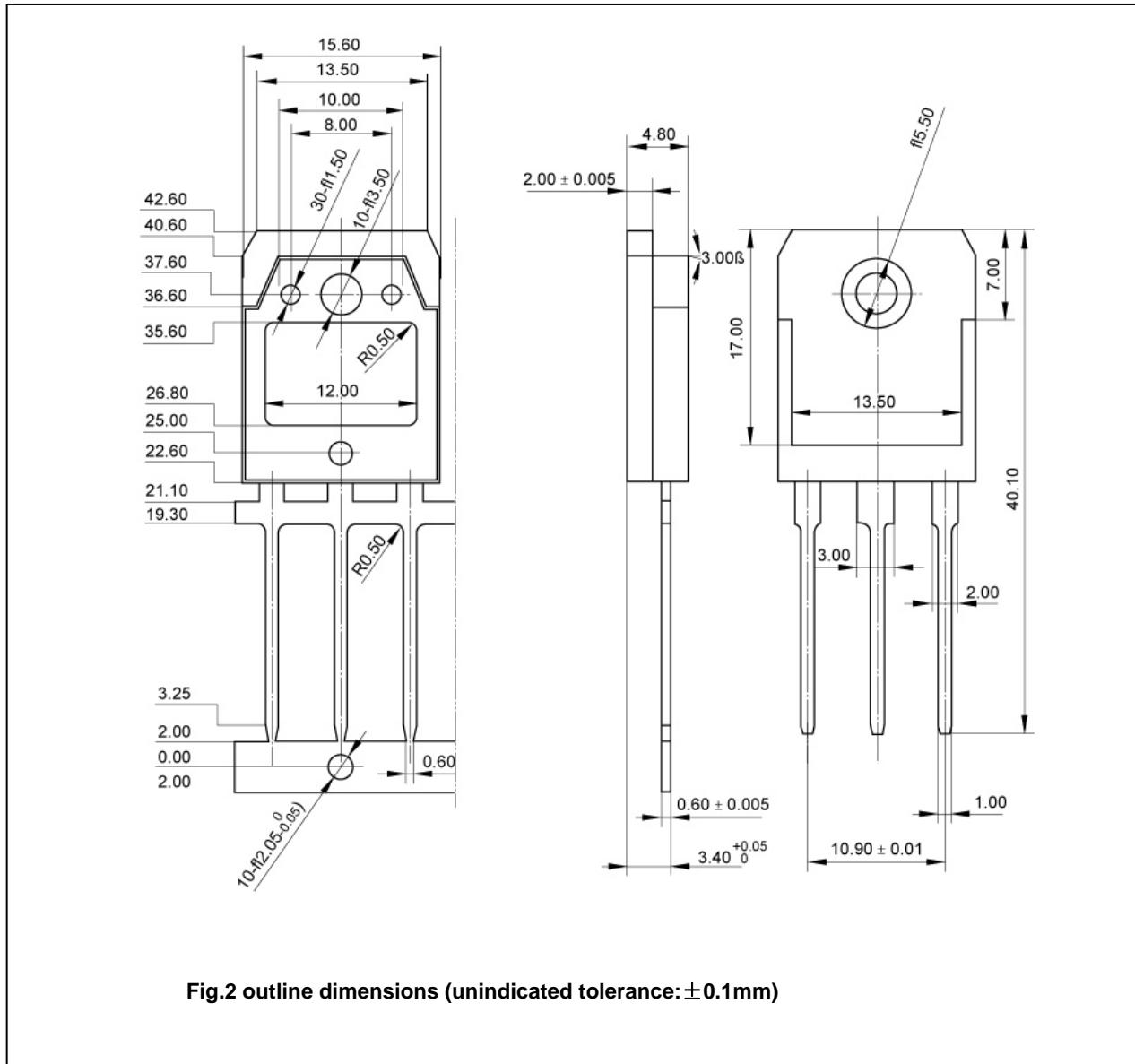


Fig.2 outline dimensions (unindicated tolerance: ±0.1mm)