

Technical data sheet

Interface Technology · LCIS analogue/analogue converter

Input: 0–20 mA

Output: 0–10 V

Insulation: 2.5 kV, 3-way isolation



Identification

Type	LCIS-WAA-1533-62-PI
Part No.	751533.0000

Product version

Hardware revision	1.0
Software version	1.1
Datasheet version	02

Input

Input signal	0–20 mA
Galvanic isolation I/O	3-way isolation
Zero /Span	Production comparison
Input resistance	100 Ω

Output

Output signal	0 – 10 V
Output voltage limit	min 0 V max 10.8 V for all output ranges with nominal upper limit 10 V
Min. load impedance at U-output	2 kΩ
Load deviation	at U-output max. 5 mV @ 2 kΩ
Output current	max. 5 mA @ 0–10 V
Residual ripple	<20 mV _{eff}

United Kingdom: LÜTZE Ltd.

Unit 3, Sandy Hill Park
Sandy Way, Amington • GB-Tamworth, Staffs B77 4DU
Tel. +44 (0)1827 31333-0 • Fax +44 (0)1827 31333-2
www.lutze.com • sales.gb@lutze.co.uk

Germany: Friedrich Lütze GmbH

Postfach 12 24 (PLZ 71366) • Bruckwiesenstraße 17-19 • D-71384 Weinstadt
Tel. +49 (0)7151 6053-0 • Fax +49 (0)7151 6053-277(-288)
www.luetze.de • info@luetze.de

Technical data sheet

Interface Technology · LCIS analogue/analogue converter

Operating data

Accuracy	0.1 % FSR @ 23 °C
Linearity error	0.05 % FSR
Rise time (10-90%)	6 ms
Build-up time (Accuracy 1%)	17 ms
Temperature coefficient	<150 ppm / K FSR
Critical frequency	30 Hz @ 3 dB

General

Rated voltage U_N	AC/DC 24 V
Current Consumption	22 mA
Status indication	LED green
Input/output protection	Overvoltage, current input with PTC fuse, short circuit-proof output
Insulation voltage input / output	2.5 kV _{eff}
Housing material	PA 6.6 (UL 94 V-0, NFF I2, F2)
Color of the housing	RAL 7012 basalt grey
Mounting	DIN rail mountable TS35 (EN 60715)
Degree of protection	IP20
Installation position	Any
Connection type	Push-In single wire 0.25 mm ² – 2.5 mm ² / AWG 24–14 fine stranded wire with ferrule 0.25 mm ² – 1.5 mm ² / AWG 24–16
Strip length	8 mm
Dimensions (w × h × d)	6.2 mm × 93.0 mm × 73.0 mm
Weight/unit	0.029 kg
PU (units)	1

General ambient conditions

Operation temperature range	-25 °C ... +60 °C
Storage temperature range	-40 °C ... +80 °C
Relative air humidity	20 – 90 % RH, not condensing
Vibration resistance	0.7 g acc. to EN 60068-2-6

Failure Rate Prediction (MTBF)

Standards	Electronic components – Reliability – Reference conditions for failure rates and stress models for conversion: EN/IEC 61709 Failure Rates of Components – Expected values: SN 29500
Failure rate at +45 °C	504 fit
Failure rate at +45 °C	1983891 h
	1 fit equals one failure per 10 ⁹ component hours
	The indicated temperature is the mean component ambient temperature.

Technical data sheet

Interface Technology · LCIS analogue/analogue converter

Comments

The results are valid under following conditions:
Automotive environment or industrial areas without extreme dust levels and harmful substances
Continuous operation 8760 h per year

Certifications/Standards

Conformity

CE
UKCA

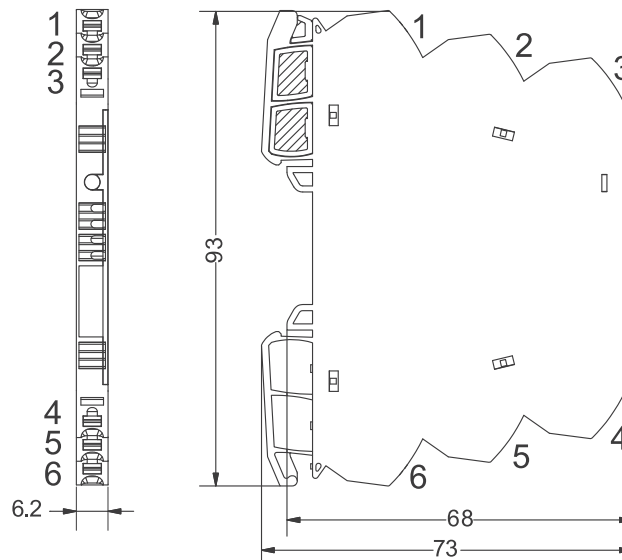
Certifications

cULus (E135145)
DNV (TAA000024Y)

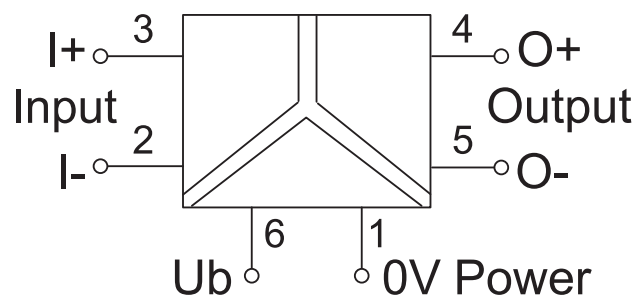
Standards

EN 60947-1
EN 60947-5-1
EN 61000-6-2
EN 61000-6-4
UL 508
DNV-CG-0339

Dimensions



PIN assignment



Technical data sheet

Interface Technology · LCIS analogue/analogue converter

Use

