

Technical data sheet

Interface Technology · LCIS analog/analog converter, passive

Input: 4–20 mA

Output: 4–20 mA

Insulation: 1.5 kV, 2-way isolation, passive converter



Identification

Type	LCIS-P1K-1528-62-PI
Part No.	751528.0000

Product version

Hardware revision	1.0
Datasheet version	02

Input

Input signal	4–20 mA
Input variable	Single analog signal
Galvanic isolation I/O	2-way isolation
Input overload capability	max. 35 mA

Output

Output signal	4–20 mA
Max. load impedance at I-output	1000 Ω (R_B)
Residual ripple	<5 mV _{eff} (load impedance 100 Ω)

Operating data

Accuracy	0.1 % FSR @ 23 °C
Build-up time (Accuracy 1%)	6 ms (for working resistance 500 Ω and 20 mA)

United Kingdom: LÜTZE Ltd.

Unit 3, Sandy Hill Park
Sandy Way, Amington • GB-Tamworth, Staffs B77 4DU
Tel. +44 (0)1827 31333-0 • Fax +44 (0)1827 31333-2
www.lutze.com • sales.gb@lutze.co.uk

Germany: Friedrich Lütze GmbH

Postfach 12 24 (PLZ 71366) • Bruckwiesenstraße 17-19 • D-71384 Weinstadt
Tel. +49 (0)7151 6053-0 • Fax +49 (0)7151 6053-277(-288)
www.luetze.de • info@luetze.de

Technical data sheet

Interface Technology · LCIS analog/analog converter, passive

General

Rated voltage U_N	passive
Input/output protection	Suppressor diode (33 V)
Burden error	<0.06 % from measured value / 100 Ω working resistance
Temperature drift /K	<150 ppm / K FSR
Temperature drift (working resistance <100 Ω ;600R)	<100 ppm / K FSR
Temperature drift (working resistance \geq 600R)	<150 ppm / K FSR
Insulation voltage input / output	1.5 kV _{eff}
Housing material	PA 6.6 (UL 94 V-0, NFF I2, F2)
Color of the housing	RAL 7012 basalt grey
Mounting	DIN rail mountable TS35 (EN 60715)
Degree of protection	IP20
Installation position	Any
Connection type	Push-In single wire 0.25 mm ² – 2.5 mm ² / AWG 24–14 fine stranded wire with ferrule 0.25 mm ² – 1.5 mm ² / AWG 24–16
Strip length	8 mm
Dimensions (w × h × d)	6.2 mm × 93.0 mm × 71.0 mm
Weight/unit	0.03 kg
PU (units)	1

General ambient conditions

Operation temperature range	-25 °C ... +60 °C
Storage temperature range	-40 °C ... +80 °C
Relative air humidity	20 – 90 % RH, not condensing
Vibration resistance	0.7 g acc. to EN 60068-2-6

Failure Rate Prediction (MTBF)

Standards	Electronic components – Reliability – Reference conditions for failure rates and stress models for conversion: EN/IEC 61709 Failure Rates of Components – Expected values: SN 29500
Failure rate at +45 °C	127 fit
Failure rate at +45 °C	7892161 h 1 fit equals one failure per 10 ⁹ component hours The indicated temperature is the mean component ambient temperature.
Comments	The results are valid under following conditions: Automotive environment or industrial areas without extreme dust levels and harmful substances Continuous operation 8760 h per year

Technical data sheet

Interface Technology · LCIS analog/analog converter, passive

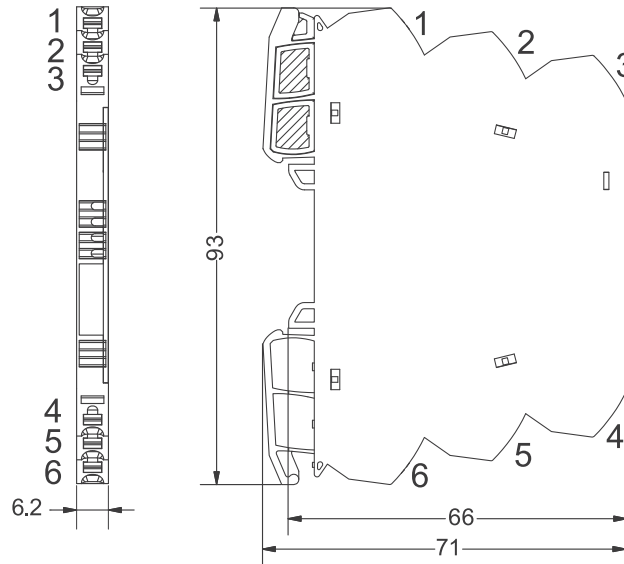
Certifications/Standards

Conformity	CE UKCA
Certifications	cULus (E135145) DNV (TAA000024Y)
Standards	EN 60947-1 EN 60947-5-1 UL 508 DNVGL-CG-0339

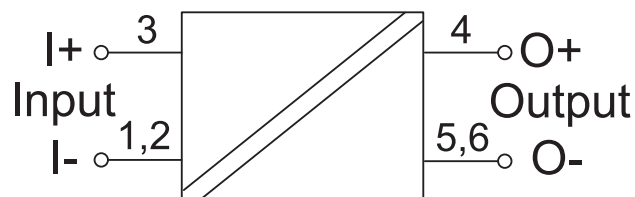
Notes and Comments

Comments When connected this passive isolator has a non-reactive transmission, so that the current in the input circuit is not interrupted for an output interruption.

Dimensions



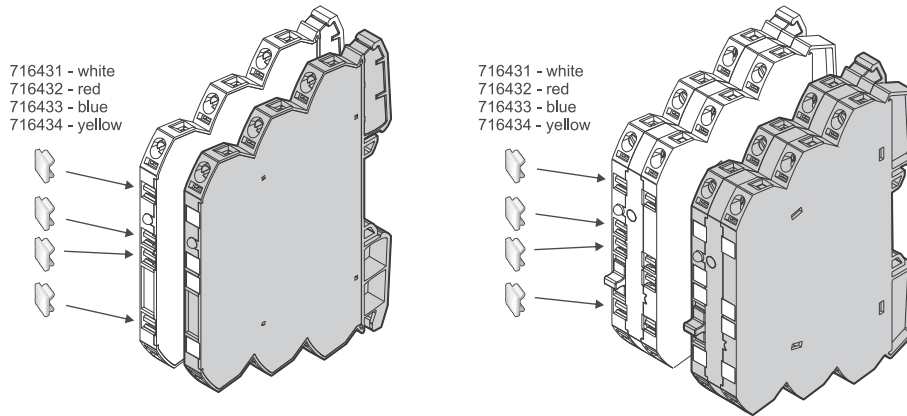
PIN assignment



Technical data sheet

Interface Technology · LCIS analog/analog converter, passive

Use



Action chart

