

Technical data sheet

Interface Technology · LCIS analog/analog converter

Input: 0–10 V / 0–20 mA / 4–20 mA

Output: 0–10 kHz

Insulation: 2.5 kV, 3-way isolation



Identification

| | |
|----------|-----------------------------|
| Type | LCIS-WAF-1511-62-PI |
| Part No. | 751511.0000 |

Product version

| | |
|-------------------|-----|
| Hardware revision | 1.0 |
| Software version | 1.1 |
| Datasheet version | 01 |

Input

| | |
|------------------------|--|
| Input signal | 0–10 V, 0–20 mA, 4–20 mA, adjustable via DIP switch S1 |
| Input variable | Analogue signals |
| Galvanic isolation I/O | 3-way isolation |
| Zero /Span | Production comparison |
| Input resistance | >330 k Ω @ 0–10 V, <100 Ω @ 0–20 mA, 4–20 mA |

Output

| | |
|---------------|--|
| Output signal | 0–50 Hz, 0–100 Hz, 0–1 kHz, 0–10 kHz adjustable via DIP switch S1 |
| Signal level | DC 24 V (DIN EN 61131-2) Type 1: ≥ 15 V (@ 2 mA) Type 2: ≥ 11 V (@ 6 mA) |

Operating data

| | |
|-----------------|-------------------|
| Accuracy | 0.1 % FSR @ 23 °C |
| Linearity error | 0.05 % FSR |

United Kingdom: LÜTZE Ltd.

Unit 3, Sandy Hill Park
Sandy Way, Amington • GB-Tamworth, Staffs B77 4DU
Tel. +44 (0)1827 31333-0 • Fax +44 (0)1827 31333-2
www.lutze.com • sales.gb@lutze.co.uk

Germany: Friedrich Lütze GmbH

Postfach 12 24 (PLZ 71366) • Bruckwiesenstraße 17-19 • D-71384 Weinstadt
Tel. +49 (0)7151 6053-0 • Fax +49 (0)7151 6053-277(-288)
www.luetze.de • info@luetze.de

12.12.2023 • Subject to technical modification
Part No. [751511.0000](#) • Datasheet version: 01

Technical data sheet

Interface Technology · LCIS analog/analog converter

| | |
|-----------------------------|---------------------|
| Rise time (10-90%) | frequency-dependent |
| Build-up time (Accuracy 1%) | frequency-dependent |
| Temperature coefficient | <150 ppm / K FSR |
| Critical frequency | 30 Hz @ 3 dB |

General

| | |
|-----------------------------------|---|
| Rated voltage U_N | AC/DC 24 V |
| Current Consumption | 26 mA |
| Current consumption at 24 V | at AC 24V: 26 mA (station supply) |
| Status indication | LED green |
| Input/output protection | Overvoltage, current input with PTC fuse, short circuit-proof output |
| Insulation voltage input / output | 2.5 kV _{eff} |
| Housing material | PA 6.6 (UL 94 V-0, NFF I2, F2) |
| Color of the housing | RAL 7012 basalt grey |
| Mounting | DIN rail mountable TS35 (EN 60715) |
| Degree of protection | IP20 |
| Installation position | Any |
| Connection type | Push-In single wire 0.25 mm ² – 2.5 mm ² / AWG 24–14 fine stranded wire with ferrule 0.25 mm ² – 1.5 mm ² / AWG 24–16 |
| Strip length | 8 mm |
| Dimensions (w × h × d) | 6.2 mm × 93.0 mm × 73.0 mm |
| Weight/unit | 0.029 kg |
| PU (units) | 1 |

General ambient conditions

| | |
|-----------------------------|------------------------------|
| Operation temperature range | -25 °C ... +60 °C |
| Storage temperature range | -40 °C ... +85 °C |
| Relative air humidity | 20 – 90 % RH, not condensing |
| Vibration resistance | 0.7 g acc. to EN 60068-2-6 |

Failure Rate Prediction (MTBF)

| | |
|------------------------|--|
| Standards | Electronic components – Reliability – Reference conditions for failure rates and stress models for conversion: EN/IEC 61709 Failure Rates of Components – Expected values: SN 29500 |
| Failure rate at +45 °C | 667 fit |
| Failure rate at +45 °C | 1498305 h 1 fit equals one failure per 10 ⁹ component hours |
| Comments | The indicated temperature is the mean component ambient temperature. The results are valid under following conditions: Automotive environment or industrial areas without extreme dust levels and harmful substances Continuous operation 8760 h per year |

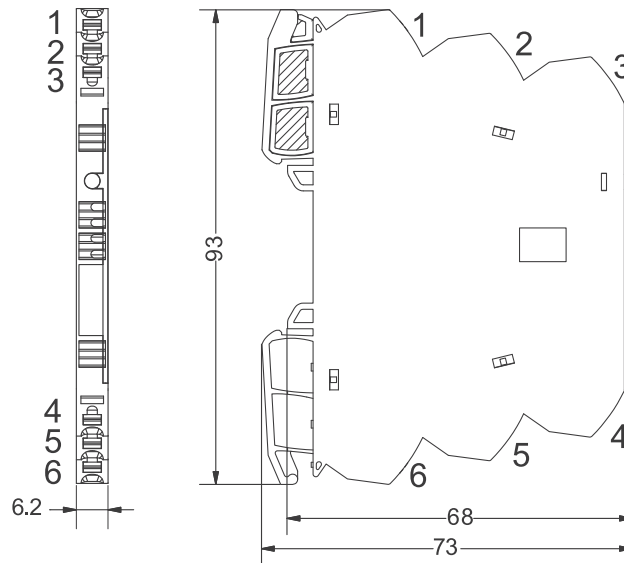
Technical data sheet

Interface Technology · LCIS analog/analog converter

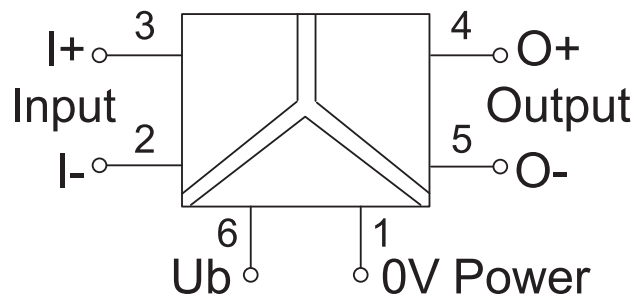
Certifications/Standards

| | |
|----------------|---|
| Conformity | CE UKCA |
| Certifications | cULus (E135145) DNV (TAA000024Y) |
| Standards | EN 60947-1 EN 60947-5-1 EN 61000-6-2 EN 61000-6-4 UL 508 DNV-CG-0339 |

Dimensions



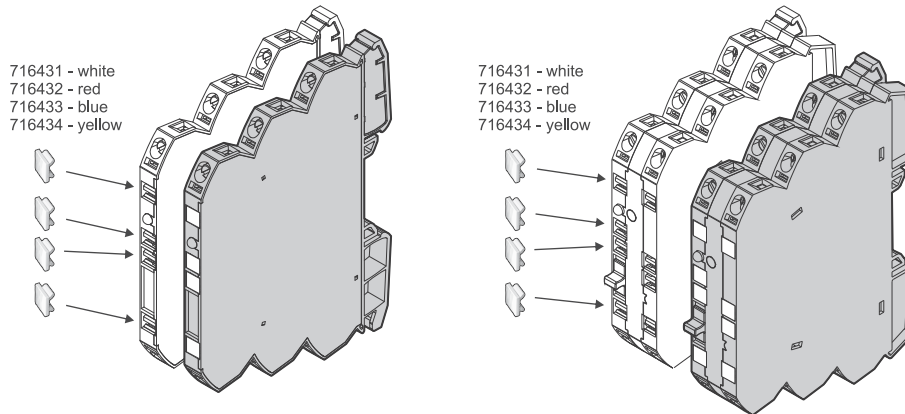
PIN assignment



Technical data sheet

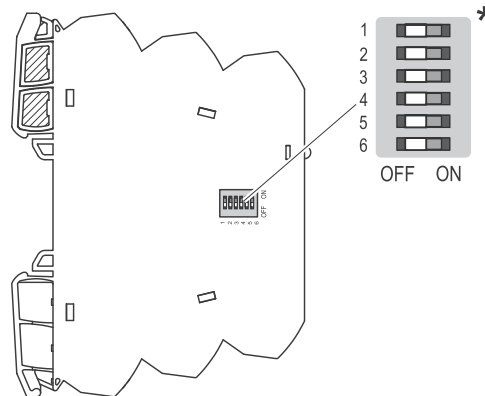
Interface Technology · LCIS analog/analog converter

Use



Use

DE HINWEIS: Die Schalter dürfen während des Betriebs nicht umgeschaltet werden. Der Wandler benötigt einen Neustart.
EN NOTICE: The switches must not be switched during operation. The converter requires a restart.
FR AVIS: Les interrupteurs ne doivent pas être actionnés pendant le fonctionnement. Le convertisseur nécessite un redémarrage.



- * DE: Auslieferungszustand (Werkseinstellung): 0-Einstellung/ alle Schalter sind auf OFF gestellt.
- * EN: Delivery state (factory setting): 0 setting/ all switches are set to OFF.
- * FR: État à la livraison (réglage d'usine) : réglage 0/ tous les interrupteurs sont sur OFF.

Range adjustment

| S1 | Input |
|---------------|---------|
| ● → Switch On | 1 2 3 4 |
| 0–10 V* | ● |
| 0–20 mA | ● |
| 4–20 mA | ● ● |

| S1 | Output |
|---------------|--------|
| ● → Switch On | 5 6 |
| 0–50 Hz* | |
| 0–100 Hz | ● |
| 0–1000 Hz | ● |
| 0–10000 Hz | ● ● |

