

Technical data sheet

Interface Technology · LCIS analogue/analogue converter, passive

Input: 4–20 mA

Output: 4–20 mA

Insulation: 1.5 kV, 2-way isolation, passive converter



Identification

Type	LCIS-P1K-0528-62-S
Part No.	750528.0000

Product version

Hardware revision	1.0
Datasheet version	01

Input

Input signal	4–20 mA
Input variable	Single analog signal
Galvanic isolation I/O	2-way isolation
Input overload capability	max. 35 mA

Output

Output signal	4–20 mA
Max. load impedance at I-output	1000 Ω (R_B)
Residual ripple	<5 mV _{eff} (load impedance 100 Ω)

Operating data

Accuracy	0.1 % FSR @ 23 °C
Build-up time (Accuracy 1%)	6 ms (for working resistance 500 Ω and 20 mA)

United Kingdom: LÜTZE Ltd.

Unit 3, Sandy Hill Park
Sandy Way, Amington • GB-Tamworth, Staffs B77 4DU
Tel. +44 (0)1827 31333-0 • Fax +44 (0)1827 31333-2
www.lutze.com • sales.gb@lutze.co.uk

Germany: Friedrich Lütze GmbH

Postfach 12 24 (PLZ 71366) • Bruckwiesenstraße 17-19 • D-71384 Weinstadt
Tel. +49 (0)7151 6053-0 • Fax +49 (0)7151 6053-277(-288)
www.luetze.de • info@luetze.de

Technical data sheet

Interface Technology · LCIS analogue/analogue converter, passive

General

Rated voltage U_N	passive
Input/output protection	Suppressor diode (33 V)
Burden error	<0.06 % from measured value / 100 Ω working resistance
Temperature drift /K	<150 ppm / K FSR
Temperature drift (working resistance <100 Ω ;600R)	<100 ppm / K FSR
Temperature drift (working resistance \geq 600R)	<150 ppm / K FSR
Insulation voltage input / output	1.5 kV _{eff}
Housing material	PA 6.6 (UL 94 V-0, NFF I2, F2)
Color of the housing	RAL 7012 basalt grey
Mounting	DIN rail mountable TS35 (EN 60715)
Degree of protection	IP20
Installation position	Any
Connection type	Screwed terminal single wire 0.25 mm ² – 2.5 mm ² / AWG 24–14 fine stranded wire with ferrule 0.25 mm ² – 1.5 mm ² / AWG 24–16
Strip length	6 mm
Dimensions (w × h × d)	6.2 mm × 93.0 mm × 71.0 mm
Weight/unit	0.03 kg
PU (units)	1

General ambient conditions

Operation temperature range	-25 °C ... +60 °C
Storage temperature range	-40 °C ... +80 °C
Relative air humidity	20 – 90 % RH, not condensing
Vibration resistance	0.7 g acc. to EN 60068-2-6

Failure Rate Prediction (MTBF)

Standards	Electronic components – Reliability – Reference conditions for failure rates and stress models for conversion: EN/IEC 61709 Failure Rates of Components – Expected values: SN 29500
Failure rate at +45 °C	127 fit
Failure rate at +45 °C	7892161 h 1 fit equals one failure per 10 ⁹ component hours The indicated temperature is the mean component ambient temperature.
Comments	The results are valid under following conditions: Automotive environment or industrial areas without extreme dust levels and harmful substances Continuous operation 8760 h per year

Technical data sheet

Interface Technology · LCIS analogue/analogue converter, passive

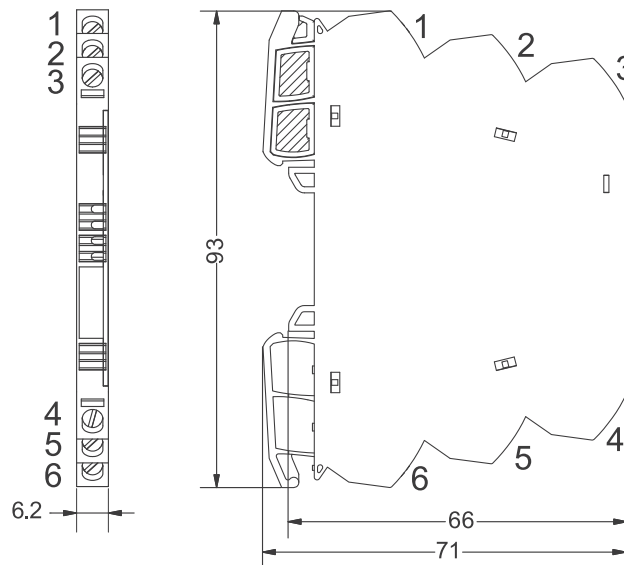
Certifications/Standards

Conformity	CE UKCA
Certifications	cULus (E135145) DNV (TAA000024Y)
Standards	EN 60947-1 EN 60947-5-1 UL 508 DNVGL-CG-0339

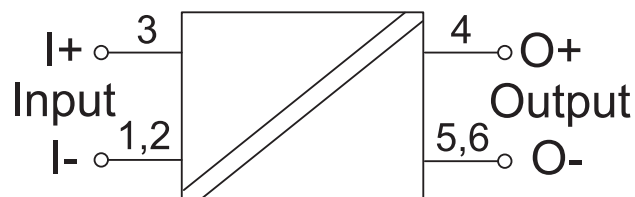
Notes and Comments

Comments	When connected this passive isolator has a non-reactive transmission, so that the current in the input circuit is not interrupted for an output interruption.
----------	---

Dimensions



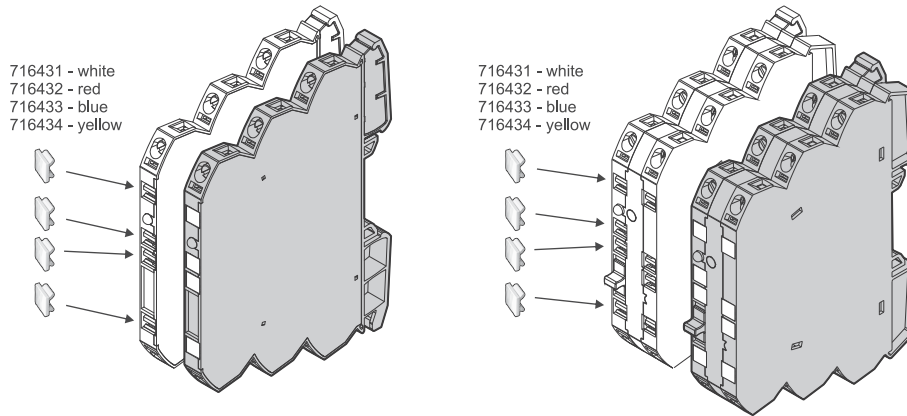
PIN assignment



Technical data sheet

Interface Technology · LCIS analogue/analogue converter, passive

Use



Action chart

